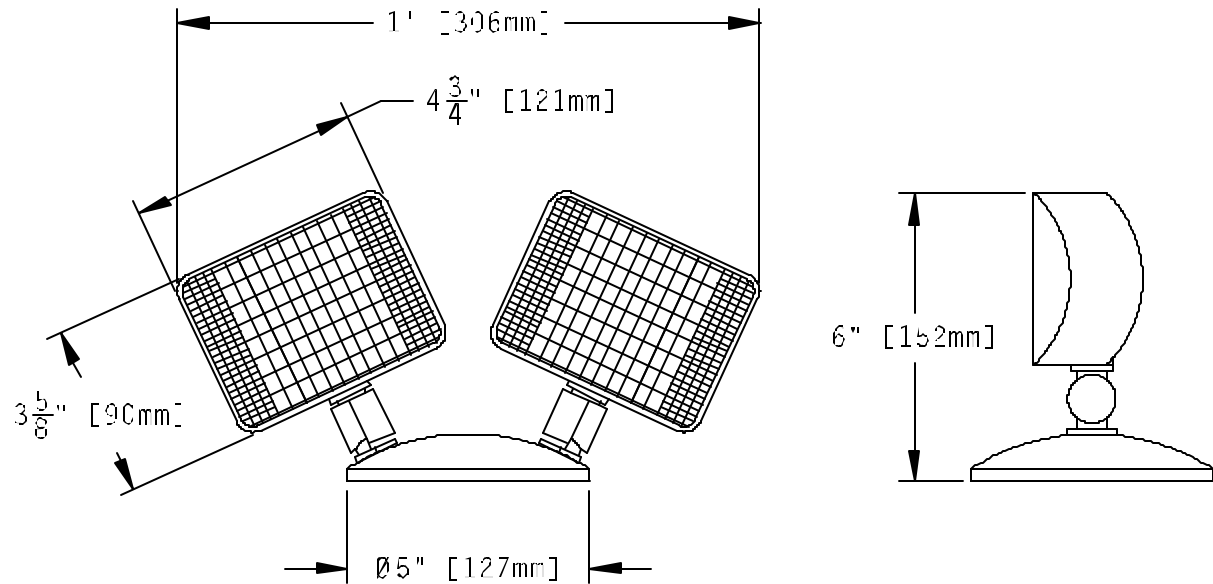




# 5502 Series Non-Metallic Rectangle Lamphead

5 Wisconsin Ave.  
Norwich, CT 06360  
Tel. (860) 887-4550  
Fax (860) 887-4534  
[www.lamphead.com](http://www.lamphead.com) (Product)  
[www.nutron-mfg.com](http://www.nutron-mfg.com) (Company)



**Construction:** Steel bezel and Gimbal Assembly

**Standard Colors:** Powder coated White / Black ( Custom colors available consult factory for details)

**Lamping:**

Single Contact Bayonet Base

Double Contact Bayonet Base