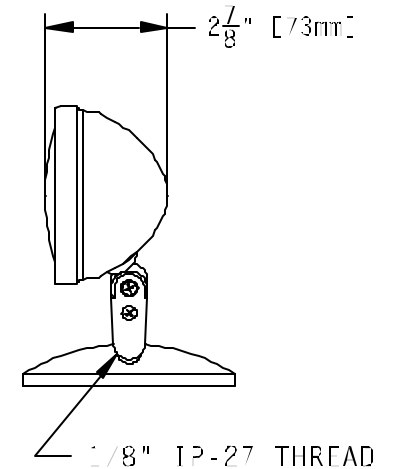
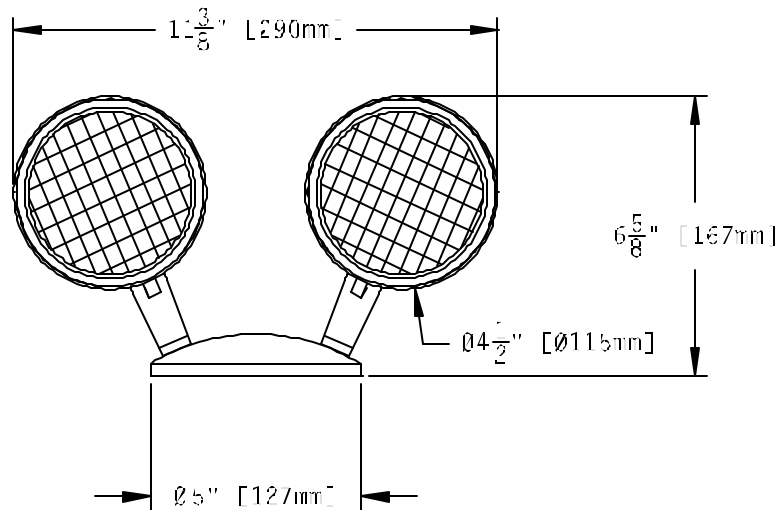




# 4502 Series Par 36 Metallic Lamphead

5 Wisconsin Ave.  
Norwich, CT 06360  
Tel. (860) 887-4550  
Fax (860) 887-4534  
www.lamphead.com (Product)  
www.nutron-mfg.com (Company)



**Housing** - Aluminum w/ Die Cast Swivel

**Colors/Finish** - Clear Anodize, Chrome, Powder coated White & Black (Custom Colors are available, consult factory for details)

**Lamping:**

- Par 36 Sealed Beam
- 6, 12v Wedge Base
- 6, 12v Bi Pin Halogen
- Double Contact Bayonet Base

**Metallic Canopy available in various configurations**