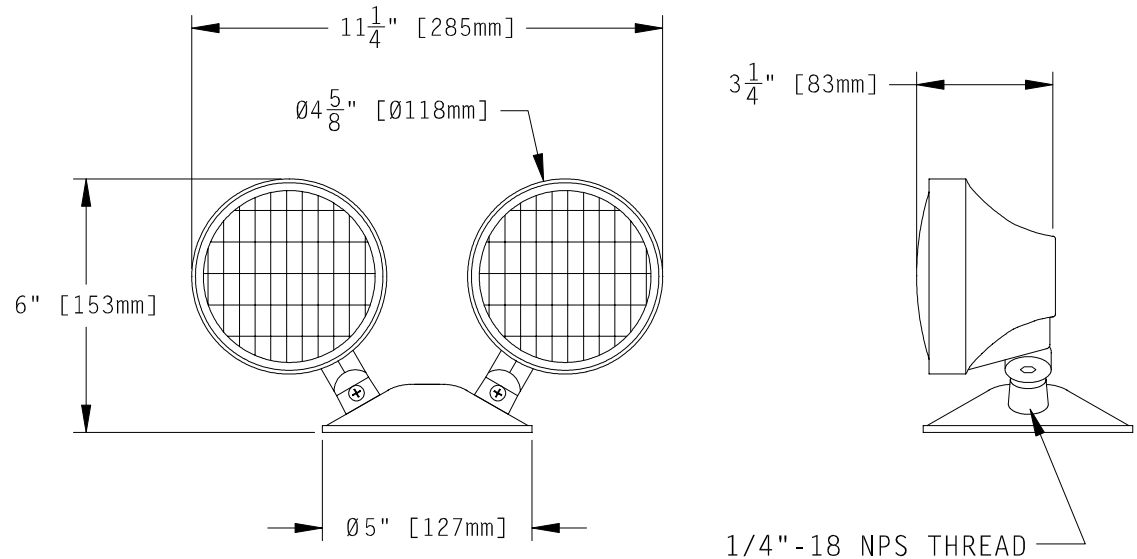




# 4302 Series Par 36 Non-Metallic Lamphead

5 Wisconsin Ave.  
Norwich, CT 06360  
Tel. (860) 887-4550  
Fax (860) 887-4534  
www.lamphead.com (Product)  
www.nutron-mfg.com (Company)



**Flame Retardant Thermoplastic**  
**Colors - Cream, White, Gray & Black**

**Lamping:**

- Sealed Beam
- 6, 12v Bi Pin Halogen
- 6, 12v Wedge Base
- Double Contact Bayonet Base

**Non-Metallic Canopy available in various configurations**

**Options : Polycarbonate or Glass Lens**