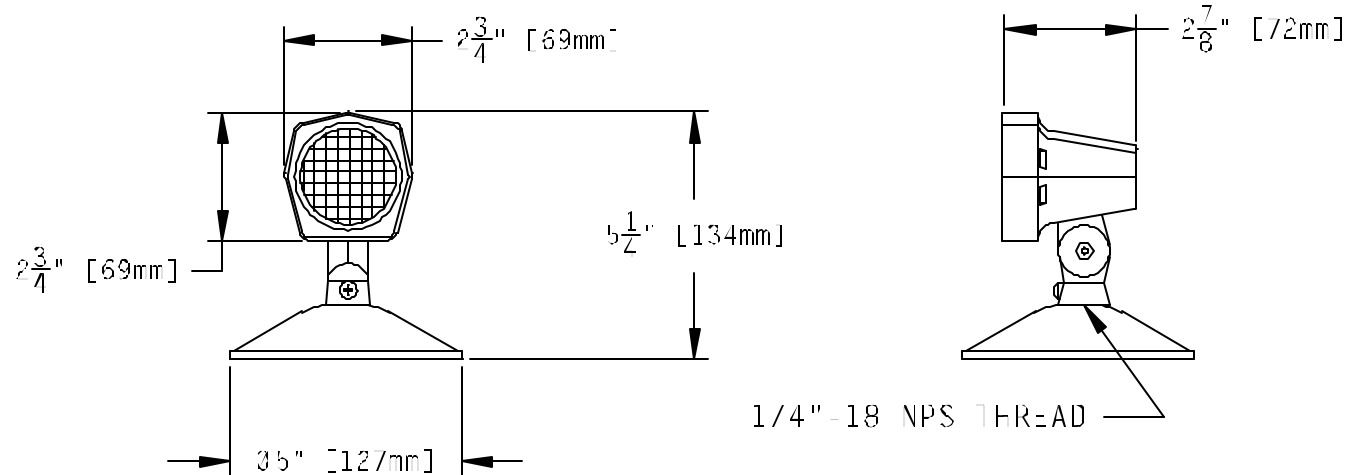




5 Wisconsin Ave.
Norwich, CT 06360
Tel. (860) 887-4550
Fax (860) 887-4534
www.lamphead.com (Product)
www.nutron-mfg.com (Company)

2751 Series Par 18 Non-Metallic Lamphead



Flame Retardant Thermoplastic

Colors - Cream, White, Gray & Black

Lamping:

6, 12v Wedge Base Tungsten

6, 12v Bi Pin Halogen

Non-Metallic Canopy available in various configurations